

STOI_M02

08.12.2021

Pushbutton

General Data

Type reference	STOI_M02
Description	Pre-assembled short-stroke pushbutton with M12 connector
Approvals	CE, cURus, ENEC10, VDE, UKCA
Contact type	1 NC + 1 NO
Degree of protection	IP65 / IP67 (on the rear IP65)
Operation travel	2.3 mm
Connection type	4-pole M12 with PUR cable, A coded; length 150 cm; wires 4x 0,34 mm ² (AWG22)
Contact material	AgNi
Max. storage temperature	-40°C ... 80°C
Max. operating temperature	-25°C ... 70°C
Mechanical life	1 million switching cycles
Electrical life (rated load)	1 million switching cycles; DC13: max. 100,000
Contact resistance NO	< 300 mOhm (150 cm cable, AgNi contact block, new state)
Contact resistance NC	< 300 mOhm (150 cm cable, AgNi contact block, new state)
Bouncing time NO	< 10ms
Bouncing time NC	< 10ms
Positive opening contact	acc. to EN60947-5-1, appendix K

Electrical data acc. to IEC/EN 60947-5-1 (VDE 0660 Sect. 200)

	alternate current	direct current
Utilisation category	AC15 B300	DC13 Q300
Rated insulation voltage U _i	250 V	250 V
Rated operating voltage U _e	240 V / 120 V	250 V / 125 V
Rated operating current I _e	1.5 A / 3 A	0.27 A / 0.55 A
Breaking capacity	-	-
Continuous thermal current	4 A	-

Additional data


Mounting aperture	22.3 mm
Tightening torque (mounting nut)	1.5 ... 1.9 Nm
Tightening torque (M12-connector)	max. 0.4 Nm
Mounting position	any
Standards	EN 60947-5-1, EN 61058-1
Material group	I
Overvoltage category	II
Pollution degree	2

Note

O = NC contact; I = NO contact

Pushbutton:

- Shortron range
- silver-coloured front ring
- sealed on rear

Further information acc. to IEC/EN 60947-5-1:

AC15: 35 V~ / 4 A

DC13: 35 V DC / 2 A

Connecting cable:

- PUR cable with M12 connector straight, black
- integrated strain relief
- cable diameter: 4.7 mm
- length: 150±5 cm
- bending radius moving: 10 x cable diameter
- bending radius fixed: 5 x cable diameter

Pin assignment:

Pin 1 Pin 2 Pin 3 Pin 4

COM NC n.c. NO

Attention:

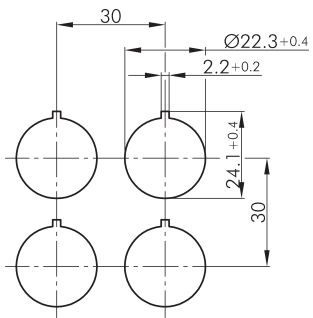
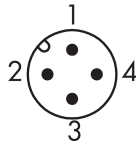
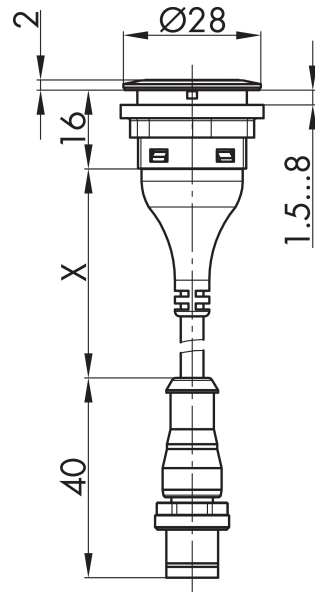
The common changeover contact (COM-Pin1) may be loaded with max. 4 A

Data acc. to UL508

Ratings

24 V DC 2 A General Purpose





PIN 1/PIN 2
PIN 1/PIN 4
PIN 3 n.c.

