

**JRSSA14E**

14.02.2023

**Key actuator, maintained**



**General Data**

Type reference	JRSSA14E
Description	Key switch, maintained
Approvals	CCC, CE, cULus, DNVGL, UKCA
Degree of protection	IP65
Operation travel	6 mm
Max. storage temperature	-40°C ... 80°C
Max. operating temperature	-25°C ... 70°C
Mechanical life	see *1)
Electrical life (rated load)	see *2)

**Additional data**

Mounting aperture	22.3 mm
Tightening torque (mounting nut)	1.5 ... 2.2 Nm
Panel thickness	1.0...7.0 mm
Mounting position	any
Standards	EN 60947-5-1, EN 61058-1

**General data**

Range	RONDEX-JUWEL®
Illumination	none
Labelling option	no
Colour	charcoal
Shape	round

**Note**

SSA... key actuator head (charcoal)

Can be used with the following contact blocks:  
MT..., ET..., DT..., DST...

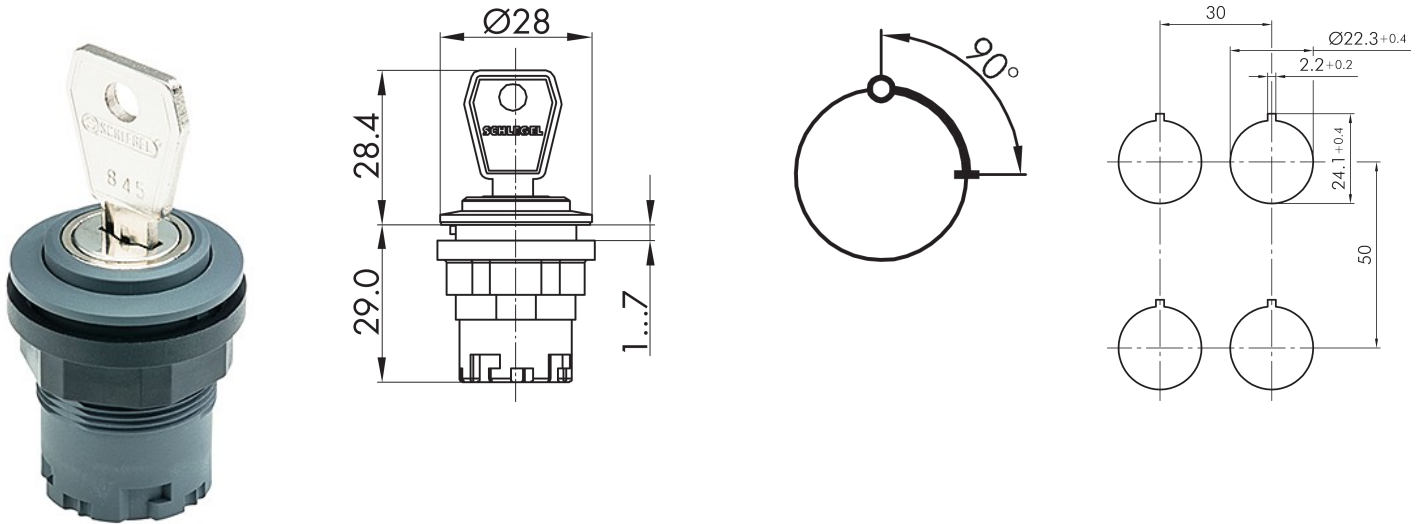
\*1.2) Lifetime specifications:

The mechanical and electrical life time depends on the kind of pushbutton or switch (pushbutton, selector/key switch, ...)



and the contact block being used as well as on the number of contact blocks

- Key actuator head, 2 positions maintained, key removable in the left position



Légende:
I=Position de commutation >=Rappel par ressort O=Retrait de la clé
Legende:
I= Schaltstellung >= Federrückzug O= Schlüsselabzugstellung
Legend:
I= Switching position >= Spring return O= Key removable position

