

Datasheet

→ **SVACTLRBF** 

11/26/2024



Technical Data

Tactile pushbutton with ring illumination

Series SHORTRON[®]

Rubric Push button

Shape round



→ General Data

Illumination Yes

Protection class IP65
IP67

Mounting position any

Mounting aperture Ø 22.3 mm

Installation depth 23.5 mm

Front frame color Stainless steel, glossy

Actuator color blue

Connection Flat plug 2.8x0.8 mm

Contact material gold-plated 1.5µm

Contact type 1 CO

→ Mechanical Data

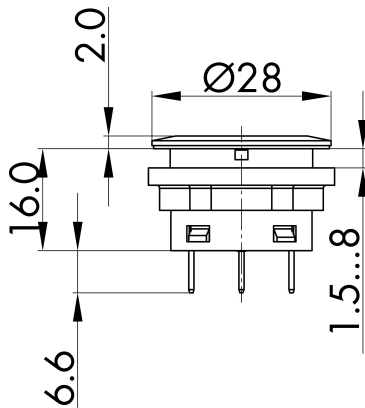
Mechanical life 1,000,000 Switching cycles

Operating travel 2.3 mm

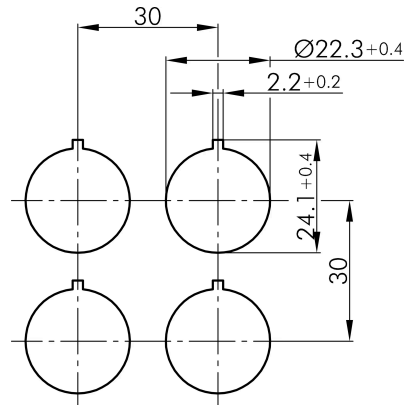
Switching function Momentary function

Technical Drawings

→ Dimensional drawing



→ Cutout dimensions



→ Circuit diagram

