

# YVOOI

01.12.2022

## Emergency-stop - 2NC+1NO



### General Data

Type reference:	YVOOI
Description:	Emergency-stop head, foolproof
Approvals:	CE, TÜV_Süd, UKCA, UR
Contact type:	2 NC + 1 NO
Degree of protection:	IP65 / IP67 / IP69K
Connection type:	Faston terminals 2.8 mm x 0.5 mm
Contact material:	AgNi
Max. storage temperature:	-40°C ... 80°C
Max. operating temperature:	-25°C ... 70°C
Mechanical life:	50,000 switching cycles
Electrical life (rated load):	50,000 switching cycles at rated load
Contact resistance NO:	< 20 mOhm
Contact resistance NC:	< 20 mOhm
Bouncing time NO:	< 10ms
Bouncing time NC:	< 10ms
Positive opening contact:	acc. to EN60947-5-1, appendix K

### Electrical data acc. to IEC/EN 60947-5-1 (VDE 0660 Sect. 200)

	alternate current	direct current
Utilisation category	AC15	DC13
Rated insulation voltage Ui	250 V	250 V
Rated operating voltage Ue	35 V	35 V
Rated operating current Ie	5 A	2 A
Breaking capacity	10Ie	1,1Ie
Continuous thermal current	5 A	

### Additional data

Mounting aperture:	16.2 mm
Tightening torque (mounting nut):	0.8 ... 1.5 Nm
Release:	twist release, left or right
Mounting position:	any
Standards:	EN 60947-5-1, EN 60947-5-5, EN ISO 13850
Material group:	I
Overvoltage category:	II
Pollution degree :	2
Ld:	20% (NC)
B10d [cycles]:	250,000

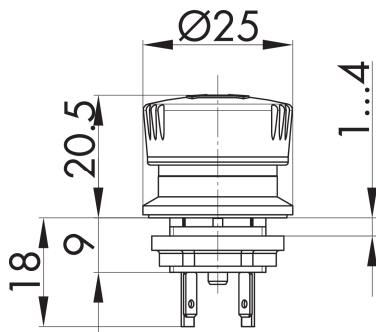
**Note**

O = NC contact, I = NO contact  
- with switching position indicator

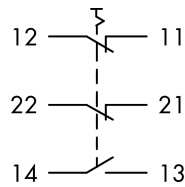
**Use partially insulated Faston clamps (for versions with Faston connections)!**

Recommended Schlegel type: "FHTI2,8x0,5\_01"  
0.5-1.5mm<sup>2</sup> (AWG 20-16)  
-30°C - 75°C

**Dimensional drawing**



**Circuit diagram**



**Drilling pattern**

