

Datasheet

→ **SN** 

10/31/2024



Technical Data

Pilot light head

Series	SHORTRON® intermediate structure
Rubric	Light attachment/indicator lights
Shape	round

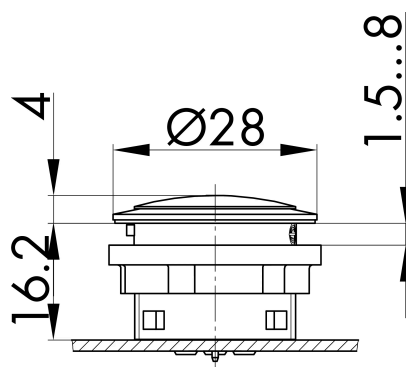


→ General Data

Illumination	Yes
Protection class	IP65 IP67
Operating temperature	-25 ... 70 °C
Storage temperature	-40 ... 80 °C
Mounting aperture	Ø 22.3 mm
Front frame color	silver colored

Technical Drawings

→ Dimensional drawing



→ Cutout dimensions

