

# Datasheet

→ **SSWNLRW** 

10/31/2024



## Technical Data

-

<i>Series</i>	SHORTRON® intermediate structure
<i>Rubric</i>	Light attachment/indicator lights
<i>Shape</i>	round

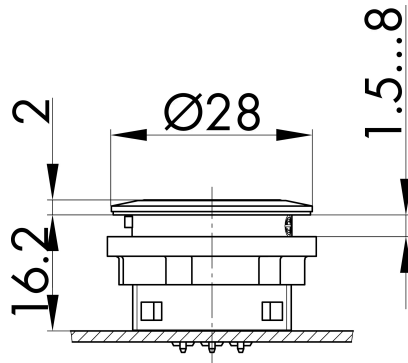


## → General Data

<i>Illumination</i>	Yes
<i>Protection class</i>	IP65 IP67
<i>Operating temperature</i>	-25 ... 70 °C
<i>Storage temperature</i>	-40 ... 80 °C
<i>Mounting position</i>	any
<i>Mounting aperture</i>	Ø 22.3 mm
<i>Front frame color</i>	black
<i>Actuator color</i>	blue

## Technical Drawings

→ Dimensional drawing



→ Cutout dimensions

