

Datasheet

→ **RMCK** 

10/31/2024



Technical Data

Toggle head

<i>Series</i>	RONDEX-M
<i>Rubric</i>	Toggle head
<i>Shape</i>	round



→ General Data

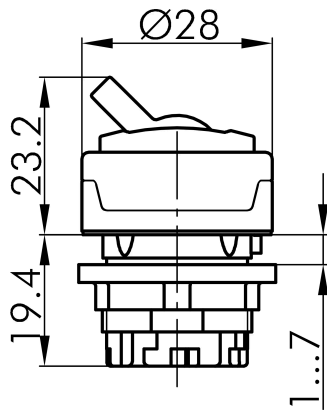
<i>Illumination</i>	No
<i>Protection class</i>	IP65
<i>Mounting aperture</i>	Ø 22.3 mm
<i>Front frame color</i>	metallic/anthracite
<i>Actuator color</i>	red

→ Mechanical Data

<i>Switching function</i>	Latching function
---------------------------	-------------------

Technical Drawings

→ Dimensional drawing



→ Cutout dimensions

