

# Datasheet

→ **RRJR** 

12/11/2024



## Technical Data

Knob set for potentiometers

*Series* RONTRON-RJUWEL

*Rubric* Potentiometer

*Shape* round



## → General Data

*Illumination* No

*Protection class* IP65

*Mounting aperture* Ø 22.3 mm

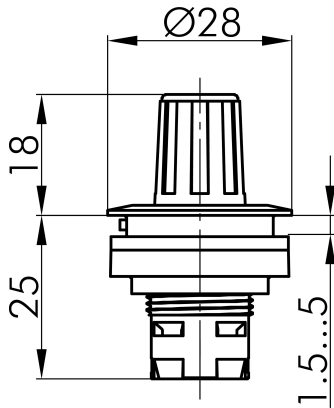
*Front frame color* silver colored

## → Note

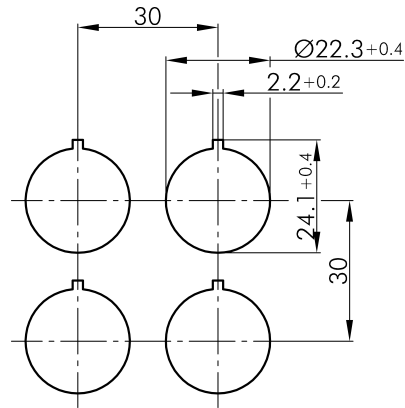
With rotary handle, but without potentiometer. For potentiometer with 6 mm axis diameter and thread M10 x 0.75  
axis length: approx. 32 mm

## Technical Drawings

→ Dimensional drawing



→ Cutout dimensions



## Awards

