

SSWTLRWII

25.10.2021

Pushbutton with ring illumination



General Data

Type reference	SSWTLRWII
Description	Pushbutton with ring illumination
Approvals	CCC, CE, cURus, DNV, ENEC10, VDE, UKCA
Contact type	2 NO
Degree of protection	IP65 / IP67
Operation travel	2.3 mm
Connection type	Faston terminals 2.8 x 0.8 mm
Contact material	AgNi
Max. storage temperature	-40°C ... 80°C
Max. operating temperature	-25°C ... 70°C
Mechanical life	1 million switching cycles
Electrical life (rated load)	1 million switching cycles
Contact resistance NO	< 20 mOhm
Min. current	1 mA (under laboratory conditions)
Min. voltage	5 V
Bouncing time NO	< 10ms

Electrical data acc. to IEC/EN 60947-5-1 (VDE 0660 Sect. 200)

	alternate current	direct current
Utilisation category	AC15 B300	DC13 Q300
Rated insulation voltage Ui	250 V	250 V
Rated operating voltage Ue	240 V / 120 V	250 V / 125 V / 60 V / 24 V
Rated operating current Ie	1.5 A / 3 A	0.27 A / 0.55 A / 1 A / 2 A
Breaking capacity	10Ie	1,1Ie
Continuous thermal current	5 A	-

Electrical data acc. to IEC/EN 61058-1 (VDE 0630 Sect. 1)

Rated voltage Ue	250 V~
Rated current Ie	6(4) A



Technical Data - Lamp

Lamp socket	none, with integrated 3 mm LED white
Max. lamp voltage	30 V AC/DC
Max. lamp output	14 mA (at 24 V DC)
Definition	X1 ...anode, X2...cathode

Additional data

Mounting aperture	22.3 mm
Tightening torque (mounting nut)	1.5 ... 1.9 Nm
Mounting position	any
Standards	EN 60947-5-1, EN 61058-1
Material group	I
Overvoltage category	II
Pollution degree	2

Note

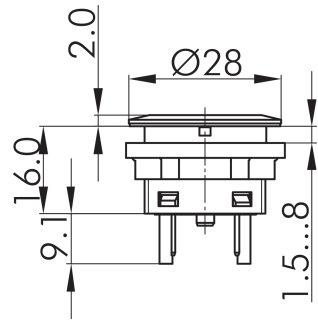
I= NO contact
 - black front ring
 - with white illuminated ring

DC13: > 100.000 switching cycles
 Versions with Faston terminals: use partially or all-insulated Faston clamps

Data acc. to UL508

Rating	Pilot duty B300; 24 V dc/3 A
Illumination	30 V ac/dc, 14 mA max





0 1 2

13/14



23/24

