

# Datasheet

→ **QXDMKL** 

10/31/2024



## Technical Data

Short-stroke membrane pushbutton head

*Series* QUARTRON®

*Rubric* Push button

*Shape* square



## → General Data

*Illumination* Yes

*Protection class* IP67

*Mounting aperture* Ø 16.2 mm

*Front frame color* black

*Actuator color* clear

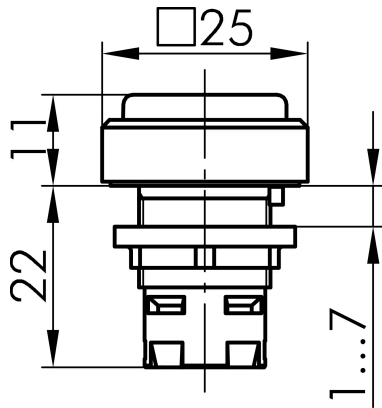
## → Mechanical Data

*Operating travel* 3 mm

*Switching function* Momentary function

## Technical Drawings

→ Dimensional drawing



→ Cutout dimensions

