

**SVASSA15II**

07.10.2021

**Key-operated switch, maintained**



**General Data**

|                              |  |
|------------------------------|--|
| Type reference               | SVASSA15II                               |
| Description                  | Key switch with integrated contact block |
| Approvals                    | CCC, CE, cURus, DNV, ENEC10, VDE, UKCA   |
| Contact type                 | 2 NO                                     |
| Degree of protection         | IP65                                     |
| Connection type              | Faston terminals 2.8 x 0.8 mm            |
| Contact material             | AgNi                                     |
| Max. storage temperature     | -40°C ... 80°C                           |
| Max. operating temperature   | -25°C ... 70°C                           |
| Mechanical life              | 30,000 switching cycles                  |
| Electrical life (rated load) | 30,000 switching cycles at rated load    |
| Contact resistance NO        | < 20 mOhm                                |
| Min. current                 | 1 mA (under laboratory conditions)       |
| Min. voltage                 | 5 V                                      |
| Bouncing time NO             | < 10ms                                   |

**Electrical data acc. to IEC/EN 60947-5-1 (VDE 0660 Sect. 200)**

|                             | alternate current | direct current              |
|-----------------------------|-------------------|-----------------------------|
| Utilisation category        | AC15 B300         | DC13 Q300                   |
| Rated insulation voltage Ui | 250 V             | 250 V                       |
| Rated operating voltage Ue  | 240 V / 120 V     | 250 V / 125 V / 60 V / 24 V |
| Rated operating current Ie  | 1.5 A / 3 A       | 0.27 A / 0.55 A / 1 A / 2 A |
| Breaking capacity           | 10Ie              | 1,1Ie                       |
| Continuous thermal current  | 5 A               | -                           |

**Electrical data acc. to IEC/EN 61058-1 (VDE 0630 Sect. 1)**

|                  |        |
|------------------|--------|
| Rated voltage Ue | 250 V~ |
| Rated current Ie | 6(4) A |

**Additional data**



|                                  |                          |
|----------------------------------|--------------------------|
| Mounting aperture                | 22.3 mm                  |
| Tightening torque (mounting nut) | 1.5 ... 1.9 Nm           |
| Mounting position                | any                      |
| Standards                        | EN 60947-5-1, EN 61058-1 |
| Material group                   | I                        |
| Overvoltage category             | II                       |
| Pollution degree                 | 2                        |

**Note**

I= NO contact

- stainless steel front ring

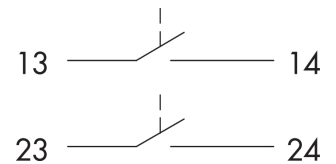
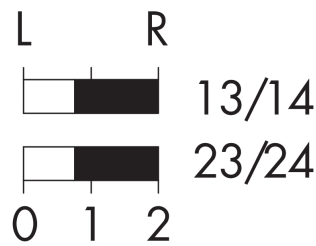
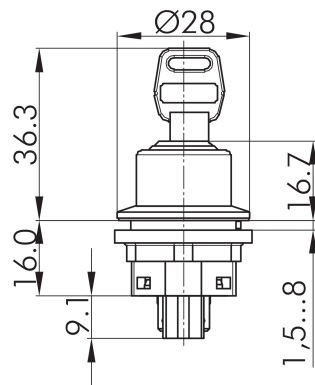
DC13: 30.000 switching cycles

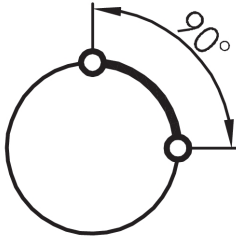
Versions with Faston terminals: use partially or all-insulated Faston clamps

**Data acc. to UL508**

Rating

Pilot duty B300; 24 V dc/3 A





|   |
|---|
| <b>Légende:</b>   |
| I=Position de commutation >=Rappel par ressort<br>O=Retrait de la clé |
| <b>Legende:</b>   |
| I= Schaltstellung >= Federrückzug<br>O= Schlüsselabzugstellung        |
| <b>Legend:</b>  |
| I= Switching position >= Spring return<br>O= Key removable position   |

