

# Datasheet

→ **KRJVAL\_24R\_G** 

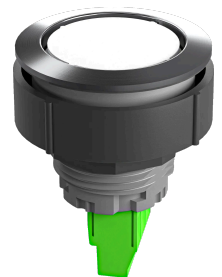
10/31/2024



## Technical Data

Two-colour LED pilot light 24V

|        |                                   |
|--------|-----------------------------------|
| Series | KOMBITAST®-R-JUWEL                |
| Rubric | Light attachment/indicator lights |
| Shape  | round                             |

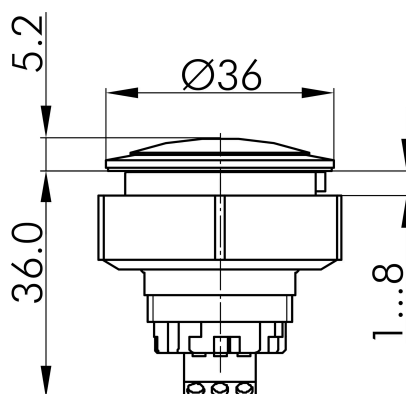


## → General Data

|                    |                         |
|--------------------|-------------------------|
| Illumination       | Yes                     |
| Protection class   | IP65                    |
| Mounting aperture  | Ø 30.5 mm               |
| Installation depth | 26.4 mm                 |
| Front frame color  | Stainless steel, glossy |
| Connection         | Screw connection        |

## Technical Drawings

→ Dimensional drawing



→ Cutout dimensions

