

JRVASSA17E

12.06.2023

Key actuator, maintained



General Data

Type reference	JRVASSA17E
Description	Key switch
Approvals	CE, cULus, DNVGL, UKCA
Degree of protection	IP65
Operation travel	6 mm
Max. storage temperature	-40°C ... 80°C
Max. operating temperature	-25°C ... 70°C
Mechanical life	see *1)
Electrical life (rated load)	see *2)

Additional data

Mounting aperture	22.3 mm
Tightening torque (mounting nut)	1.5 ... 2.2 Nm
Panel thickness	1-0...7.0 mm
Mounting position	any
Standards	EN 60947-5-1, EN 61058-1

General data

Range	RONDEX-JUWEL®
Illumination	none
Labelling option	no
Colour	VA...stainless steel
Shape	round

Note

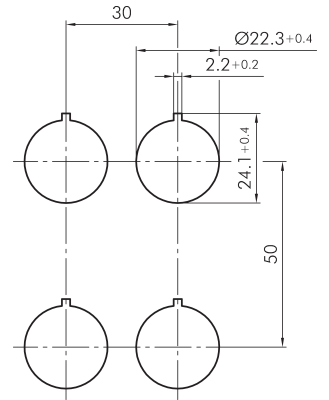
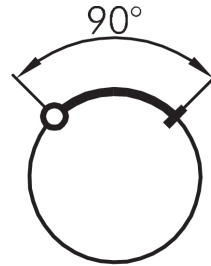
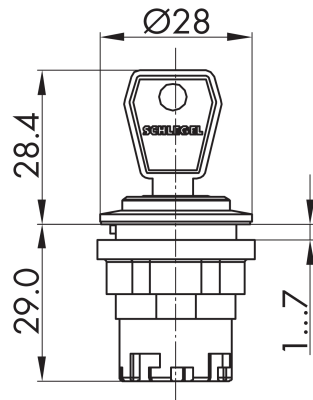
Can be used with the following contact blocks:
MT..., ET..., DT..., DST...

- JRVASSA17E_XXX; XXX = key number
- Key actuator head, 2 positions maintained, key removable in the left position

*1.2) Lifetime specifications:



The mechanical and electrical life time depends on the kind of pushbutton or switch (pushbutton, selector/key switch, ...) and the contact block being used as well as on the number of contact blocks



I = Schaltstellung / Switching position / Position de contact
 > = Federrückzug / Spring return / Rappel par ressort
 O = Schlüsselabzugstellung / Key removable position Retrait de la clé

