

# Datasheet

→ [RQJ\\_USB\\_AB](#) 

10/31/2024



## Technical Data

USB2.0 jack A/jack B

*Series* RONTRON-Q-JEWEL

*Rubric* Mounting jack

*Shape* Rounded square



## → General Data

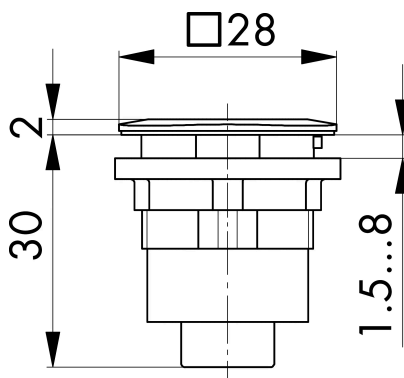
*Illumination* No

*Mounting aperture* Ø 22.3 mm

*Front frame color* silver colored

## Technical Drawings

→ Dimensional drawing



→ Cutout dimensions

