

Datasheet

→ **SNLRG** 

10/31/2024



Technical Data

Pilot light head with ring illumination

<i>Series</i>	SHORTRON® intermediate structure
<i>Rubric</i>	Light attachment/indicator lights
<i>Shape</i>	round

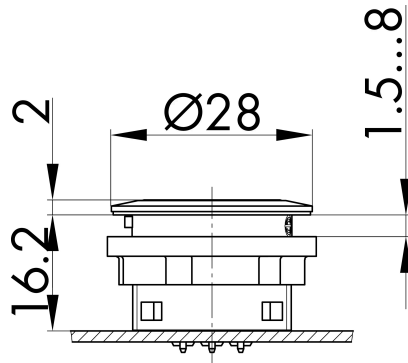


→ General Data

<i>Illumination</i>	Yes
<i>Protection class</i>	IP65 IP67
<i>Operating temperature</i>	-25 ... 70 °C
<i>Storage temperature</i>	-40 ... 80 °C
<i>Mounting position</i>	any
<i>Mounting aperture</i>	Ø 22.3 mm
<i>Front frame color</i>	silver colored
<i>Actuator color</i>	green

Technical Drawings

→ Dimensional drawing



→ Cutout dimensions

