

# Datasheet

→ [RRJ\\_USB\\_SW\\_BA](#) ↗

10/31/2024



## Technical Data

USB2.0 jack B/jack A

*Series* RONTRON-R-JUWEL

*Rubric* Mounting jack

*Shape* round



## → General Data

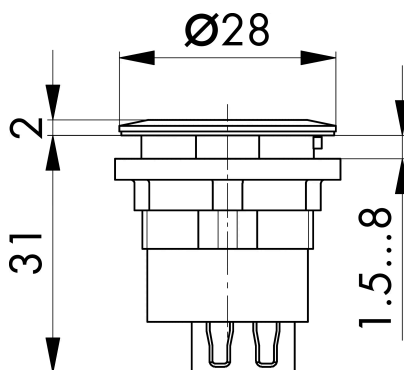
*Illumination* No

*Mounting aperture* Ø 22.3 mm

*Front frame color* black

## Technical Drawings

→ Dimensional drawing



→ Cutout dimensions

