

**RXJN\_FSB3\_110V**

09.09.2020

**LED switching position indicator, 3-coloured**

**General Data**

Type reference	RXJN_FSB3_110V
Description	Pilot light, position indicator, 3-colour LED cross light
Approvals	CE, UKCA
Degree of protection	IP65 / IP67
Max. operating temperature	-25°C ... 40°C
Mounting aperture	22.3 mm
Colour	red / green / yellow

**Electrical data acc. to DIN EN 60947-1:2007+A1:2011+A2:2014**

Rated voltage	110 V - 125 V DC (+10%)
Rated current	max. 14 mA
Insulation voltage	1.5 kV
Insulation resistance	> 2 MOhm
Overvoltage category	II
Pollution degree	2

**Note**

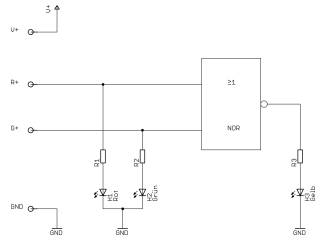
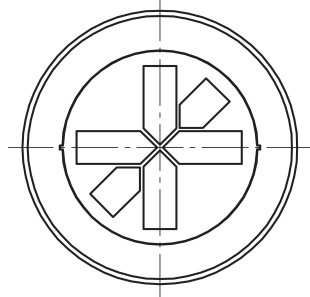
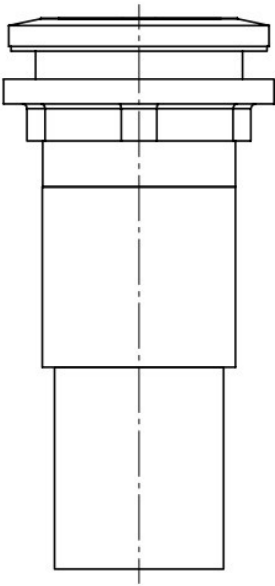
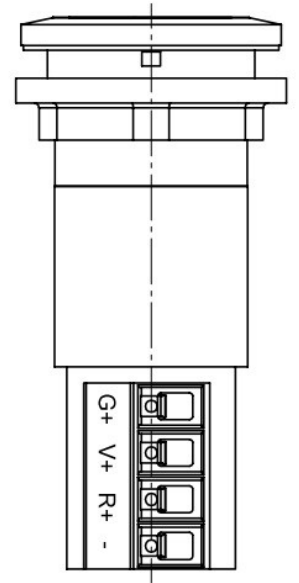
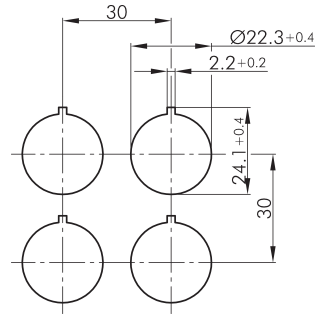
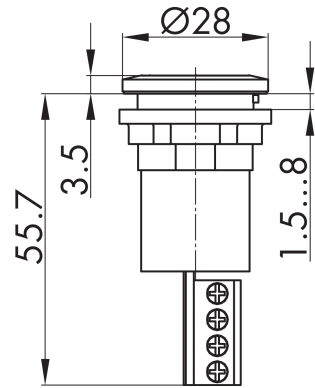
Connection screw connection (Phoenix PT 2,5/ 4-5,0-V)  
 Conductor cross section rigid/flexible: 0.5 mm<sup>2</sup> ... 4 mm<sup>2</sup>  
 Conductor cross section flexible; ferrule  
 with or without wire end ferrule: 0.5 mm<sup>2</sup> ... 2.5 mm<sup>2</sup>  
 Conductor cross section AWG: 20 ... 10  
 2 conductors of same cross section rigid/flexible: 0.5 mm<sup>2</sup> ... 1.5 mm<sup>2</sup>  
 2 conductors of same cross section flexible;  
 ferrule without wire end ferrule: 0.5 mm<sup>2</sup> ... 0.75 mm<sup>2</sup>  
 2 conductors of same cross section flexible;  
 TWIN ferrule with wire end ferrule: 0.5 mm<sup>2</sup> ... 1.5 mm<sup>2</sup>

Housing  
 RXJN

**General**

The intentional use refers to the operation of only one LED strand. If multiple LED colours are operated at the same time the technical data cannot be kept and the component may be destroyed by overload. Thus, lamp test is to be conducted only for a short time. It is not designed for continuous operation.  
 The pilot light is designed for the use in an enclosure or in a switching cabinet (protection against electrical shock). In addition, a suitable stain relief has to be provided.





Rot	Grün	Gelb
0	0	1
0	1	0
1	0	0
1	1	0

