

PTSOOI_AU

16.12.2021

Contact block, momentary



General Data

Type reference	PTSOOI_AU
Description	Contact block, gold-plated contacts, for base-plate mounting, positive opening contact
Approvals	CCC, CE, ENEC10, VDE, TÜV_Süd, UKCA
Contact type	2 NC + 1 NO
Degree of protection	IP00
Operation travel	2.3 mm
Connection type	PCB-mount terminals
Contact material	AgNi, gold-plated
Max. storage temperature	-40°C ... 80°C
Max. operating temperature	-25°C ... 70°C
Mechanical life	1 million switching cycles
Electrical life (rated load)	1 million switching cycles
Contact resistance NO	< 50 mOhm (new state)
Contact resistance NC	< 50 mOhm (new state)
Bouncing time NO	< 10ms
Bouncing time NC	< 10ms
Positive opening contact	acc. to EN60947-5-1, appendix K

Electrical data acc. to IEC/EN 60947-5-1 (VDE 0660 Sect. 200)

	alternate current	direct current
Utilisation category	-	-
Rated insulation voltage Ui	250 V	-
Rated operating voltage Ue	-	-
Rated operating current Ie	-	-
Breaking capacity	-	-
Continuous thermal current	-	-

Electrical features - 5µm gold-plating, type addition _AU



Switching voltage	20 mV ... 42 V AC/DC
Switching current	1 mA ... 250 mA
Pollution degree	2
Overvoltage category	II
Rated impulse voltage	2.5 kV

Note

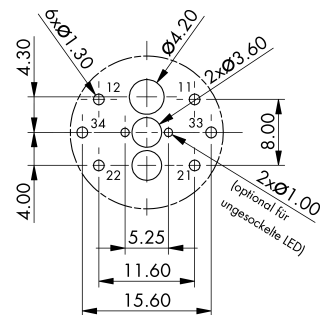
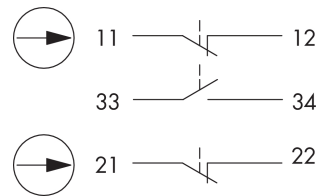
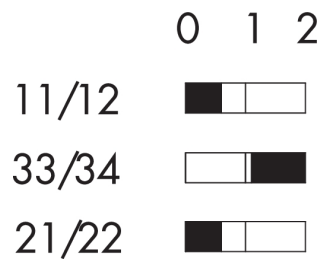
O = NC contact; I = NO contact

The contact block is being plugged into the neck of the pushbutton/switch head;
Spacer sleeves ensure the correct distance of the connection between PCB and mounting plate.

The fixing nut must be secured against loosening.

Installation instruction:

The position offset between the operator element and the switching element must be in a $\varnothing 0.2$ mm circle



Sicht auf Bestückungsseite der Leiterplatte

