

RRJWALSW\_GB

26.11.2021

**Illuminated selector head, maintained**



**General Data**

Type reference	RRJWALSW_GB
Description	Selector head, maintained, with illumination option
Approvals	CE, cURus, UKCA
Degree of protection	IP65
Max. storage temperature	-50°C ... 85°C
Max. operating temperature	-25°C ... 70°C

**Technical data**

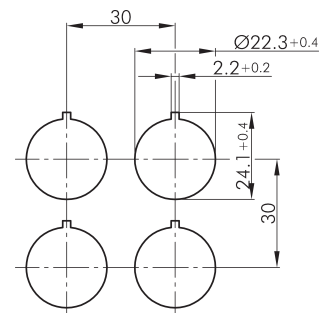
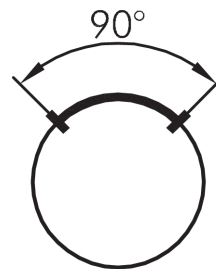
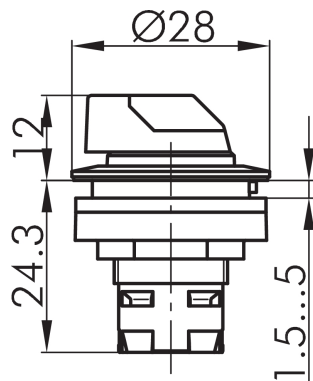
Mounting aperture	22.3 mm
Tightening torque (mounting nut)	max. 1.5 Nm

**Note**

- 2-position selector head
- with illumination option in yellow
- black front ring

**Data cc. to UL508/ CSA 22.2 No. 14-18**

Enclosure Type	Type 4x indoor
----------------	----------------



I = Schaltstellung / Switching position / Position de contact  
> = Federrückzug / Spring return / Rappel par ressort  
O = Schlüsselabzugstellung / Key removable position Retrait de la clé

