

**LED switching position indicator, 3-coloured**



**General Data**

|                            |   |
|----------------------------|---|
| Type reference             | RXJN_FSB3_220V  |
| Description                | Pilot light, position indicator, 3-colour LED cross light |
| Approvals                  | CE, UKCA  |
| Degree of protection       | IP65 / IP67   |
| Max. operating temperature | -25°C ... 35°C  |
| Mounting aperture          | 22.3 mm   |
| Colour                     | red / green / yellow                                      |

**Electrical data acc. to DIN EN 60947-1:2007+A1:2011+A2:2014**

|                       |            |
|-----------------------|------------|
| Rated voltage         | 220V DC    |
| Rated current         | max. 10 mA |
| Insulation voltage    | 1.5 kV     |
| Insulation resistance | > 2 MOhm   |
| Overvoltage category  | I          |
| Pollution degree      | 2          |

**Note**

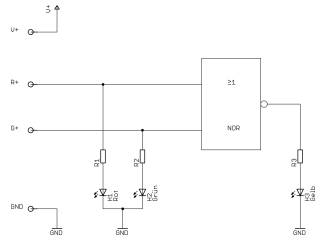
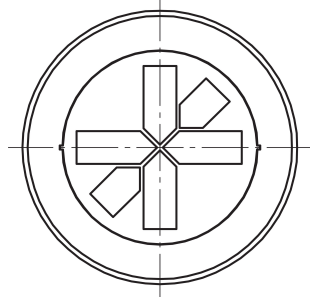
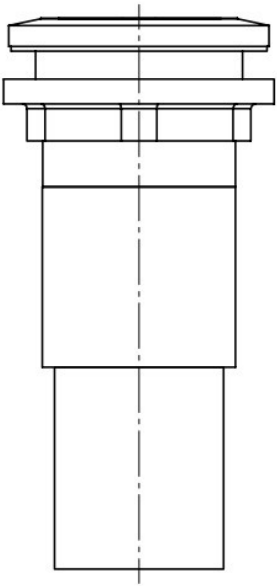
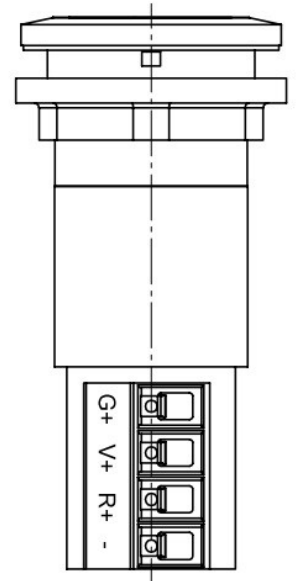
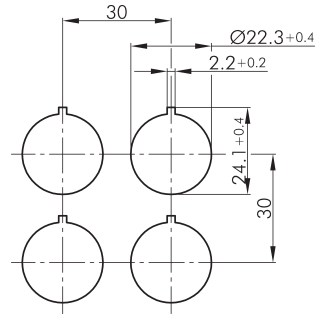
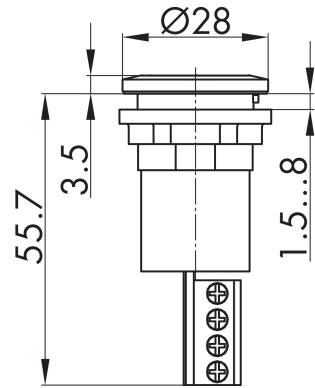
Connection screw connection (Phoenix PT 2,5/ 4-5,0-V)  
 Conductor cross section rigid/flexible: 0.5 mm<sup>2</sup> ... 4 mm<sup>2</sup>  
 Conductor cross section flexible; ferrule  
 with or without wire end ferrule: 0.5 mm<sup>2</sup> ... 2.5 mm<sup>2</sup>  
 Conductor cross section AWG: 20 ... 10  
 2 conductors of same cross section rigid/flexible: 0.5 mm<sup>2</sup> ... 1.5 mm<sup>2</sup>  
 2 conductors of same cross section flexible;  
 ferrule without wire end ferrule: 0.5 mm<sup>2</sup> ... 0.75 mm<sup>2</sup>  
 2 conductors of same cross section flexible;  
 TWIN ferrule with wire end ferrule: 0.5 mm<sup>2</sup> ... 1.5 mm<sup>2</sup>

Housing  
 RXJN

**General**

The intentional use refers to the operation of only one LED strand. If multiple LED colours are operated at the same time the technical data cannot be kept and the component may be destroyed by overload. Thus, lamp test is to be conducted only for a short time. It is not designed for continuous operation.  
 The pilot light is designed for the use in an enclosure or in a switching cabinet (protection against electrical shock). In addition, a suitable stain relief has to be provided.





| Rot | Grün | Gelb |
|-----|------|------|
| 0   | 0    | 1    |
| 0   | 1    | 0    |
| 1   | 0    | 0    |
| 1   | 1    | 0    |

