

STLRBI_C005

25.11.2021

Pushbutton with ring illumination and 4-pole M12 connector



General Data

Type reference	STLRBI_C005
Description	Illuminated short-stroke pushbutton with integrated contact block and M12 connection
Approvals	CE, cURus, ENEC10, VDE, UKCA
Contact type	1 NO
Degree of protection	IP65 / IP67
Operation travel	2.3 mm (pushbutton)
Connection type	4-pole M12 connector (integrated), A coded
Contact material	AgNi
Max. storage temperature	-40°C ... 80°C
Max. operating temperature	-25°C ... 70°C
Mechanical life	1 million switching cycles
Electrical life (rated load)	1 million switching cycles
Contact resistance NO	< 50 mOhm (new state)
Bouncing time NO	< 10ms

Electrical data acc. to IEC/EN 60947-5-1 (VDE 0660 Sect. 200)

	alternate current	direct current
Utilisation category	AC15	DC13
Rated insulation voltage U_i	50 V	50 V
Rated operating voltage U_e	35 V	35 V
Rated operating current I_e	4 A	2 A
Breaking capacity	-	-
Continuous thermal current	4 A	-

Technical Data - Lamp

Lamp socket	none, with integrated 3 mm LED white
Max. lamp voltage	30 V AC/DC
Max. lamp output	14 mA (at 24 V DC)



Additional data

Mounting aperture	22.3 mm
Tightening torque (mounting nut)	1.5 ... 1.9 Nm
Tightening torque (M12-connector)	max. 0.4 Nm
Mounting position	any
Standards	EN 60947-5-1, EN 61058-1
Material group	I
Overvoltage category	II
Pollution degree	2

Note

I = NO contact

- pushbutton with blue illuminated ring
- silver-coloured front ring

Pin assignment:

Pin 1 Pin 2 Pin 3 Pin 4 Type

NO NO LED - LED + 1 NO + LED

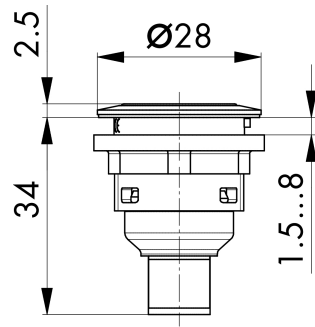
Safety instructions / mounting instructions

- the connector must not be connected or disconnected under load
- the single connector pin may be loaded with max. 4 A

Test data acc. to UL60947-5-1 / C22.2 No. 60947-5-1

Rating	24 V DC 2 A general purpose
Lamp rating	30 Vac/dc, 14 mA max





PIN 1 / PIN 2

