

# Datasheet

→ **RKTM** 

10/30/2024



## Technical Data

Pushbutton head

<i>Series</i>	OKTRON®-R
<i>Rubric</i>	Push button
<i>Shape</i>	round



## → General Data

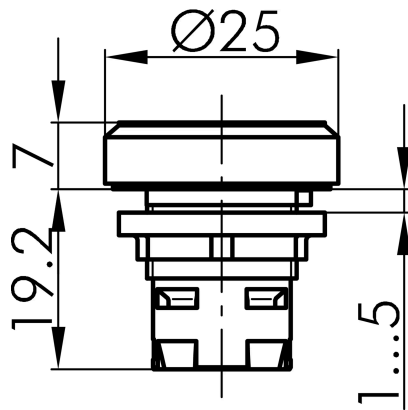
<i>Illumination</i>	Yes
<i>Protection class</i>	IP65
<i>Approvals</i>	CCC, CE, UKCA, UR
<i>Operating temperature</i>	-25 ... 70 °C
<i>Storage temperature</i>	-50 ... 85 °C
<i>Mounting position</i>	any
<i>Mounting aperture</i>	Ø 16.2 mm
<i>Front frame color</i>	silver colored

## → Mechanical Data

<i>Operating travel</i>	3 mm
-------------------------	------

## Technical Drawings

→ Dimensional drawing



→ Cutout dimensions

