

SVASSA18II_C009

30.11.2021

Key-operated switch, maintained, with 4-pole M12 connector



General Data

| | |
|------------------------------|---|
| Type reference | SVASSA18II_C009 |
| Description | Key switch with integrated contact block and 4-pole M12 connector, maintained |
| Approvals | CE, cURus, ENEC10, VDE, UKCA |
| Contact type | 2 NO |
| Degree of protection | IP65 (in the front); IP65 / IP67 (on the rear with plugged-in M12 connector) |
| Connection type | 4-pole M12 connector (integrated), A coded |
| Contact material | AgNi |
| Max. storage temperature | -40°C ... 80°C |
| Max. operating temperature | -25°C ... 70°C |
| Mechanical life | 30,000 switching cycles |
| Electrical life (rated load) | 30,000 switching cycles at rated load |
| Contact resistance NO | < 50 mOhm (new state) |
| Bouncing time NO | < 10ms |

Electrical data acc. to IEC/EN 60947-5-1 (VDE 0660 Sect. 200)

| | alternate current | direct current |
|-----------------------------|-------------------|----------------|
| Utilisation category | AC15 | DC13 |
| Rated insulation voltage Ui | 50 V | 50 V |
| Rated operating voltage Ue | 35 V | 35 V |
| Rated operating current Ie | 1 A | 1 A |
| Breaking capacity | - | - |
| Continuous thermal current | 1 A | - |

Additional data

| | |
|-----------------------------------|----------------|
| Mounting aperture | 22.3 mm |
| Tightening torque (mounting nut) | 1.5 ... 1.9 Nm |
| Tightening torque (M12-connector) | max. 0.4 Nm |
| Mounting position | any |



Standards EN 60947-5-1, EN 61058-1

Material group I

Overvoltage category II

Pollution degree 2

Note

I = NO contact

- stainless steel front ring

Pin assignment:

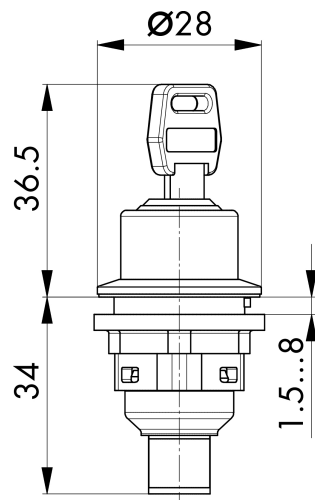
Pin 1 Pin 2 Pin 3 Pin 4 Type
COM NO(1) n.c. NO(2) 2 NO

Safety instructions / mounting instructions:

- the connector must not be connected or disconnected under load

Test data acc. to UL60947-5-1 / C22.2 No. 60947-5-1

Rating 24 V DC 1 A general purpose



PIN 1/ PIN 2
PIN 1/ PIN 4
PIN 3 n.c.

