

Datasheet

→ **SCTLRGF** 

11/26/2024



Technical Data

Tactile pushbutton with ring illumination

Series SHORTRON[®]

Rubric Push button

Shape round



→ General Data

Illumination Yes

Protection class IP65
IP67

Mounting aperture Ø 22.3 mm

Installation depth 23.5 mm

Front frame color silver colored

Actuator color green

Connection Flat plug 2.8x0.8 mm

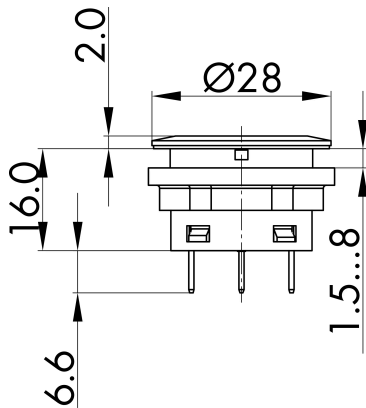
Contact type 1 CO

→ Mechanical Data

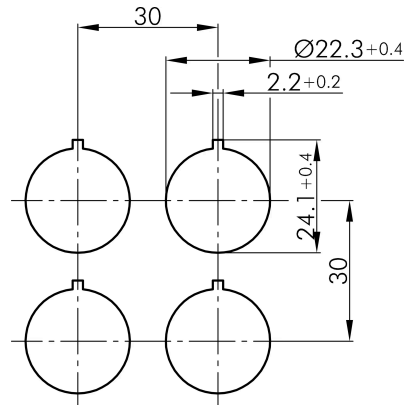
Switching function Momentary function

Technical Drawings

→ Dimensional drawing



→ Cutout dimensions



→ Circuit diagram

