

# Datasheet

→ **SNLRR** 

10/31/2024



## Technical Data

Pilot light head with ring illumination

*Series* SHORTRON® intermediate structure

*Rubric* Light attachment/indicator lights

*Shape* round



## → General Data

*Illumination* Yes

*Protection class* IP65  
IP67

*Operating temperature* -25 ... 70 °C

*Storage temperature* -40 ... 80 °C

*Mounting position* any

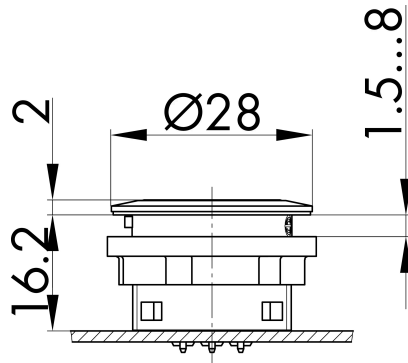
*Mounting aperture* Ø 22.3 mm

*Front frame color* silver colored

*Actuator color* red

## Technical Drawings

→ Dimensional drawing



→ Cutout dimensions

