

Datasheet

→ **RMCTM** 

10/31/2024



Technical Data

Membrane pushbutton head

<i>Series</i>	RONDEX-M
<i>Rubric</i>	Push button
<i>Shape</i>	round



→ General Data

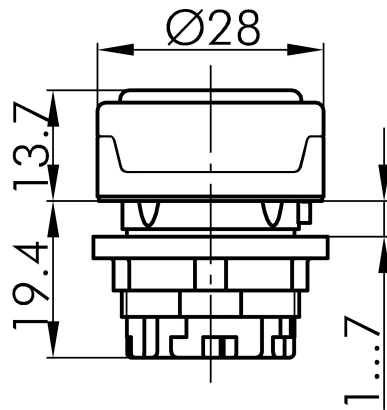
<i>Illumination</i>	Yes
<i>Protection class</i>	IP67
<i>Mounting aperture</i>	Ø 22.3 mm
<i>Front frame color</i>	metallic/anthracite

→ Mechanical Data

<i>Operating travel</i>	6 mm
<i>Switching function</i>	Momentary function

Technical Drawings

→ Dimensional drawing



→ Cutout dimensions

