

STLI\_M03

07.12.2021

**Illuminated pushbutton NO**



**General Data**

Type reference	STLI_M03
Description	Illuminated pre-assembled short-stroke pushbutton with M12 connector
Approvals	CE, cURus, ENEC10, VDE, UKCA
Contact type	1 NO
Degree of protection	IP65 / IP67 (on the rear IP65)
Operation travel	2.3 mm
Connection type	4-pole M12 with PUR cable, A coded; length 25 cm; wires 4 x 0.34 mm <sup>2</sup> (AWG22)
Contact material	AgNi
Max. storage temperature	-40°C ... 80°C
Max. operating temperature	-25°C ... 70°C
Mechanical life	1 million switching cycles
Electrical life (rated load)	1 million switching cycles; DC13: max. 100,000
Contact resistance NO	< 100 mOhm (25 cm cable, AgNi contact block, new state)
Bouncing time NO	< 10ms

**Electrical data acc. to IEC/EN 60947-5-1 (VDE 0660 Sect. 200)**

	alternate current	direct current
Utilisation category	AC15	DC13
Rated insulation voltage Ui	250 V	250 V
Rated operating voltage Ue	35 V	35 V
Rated operating current Ie	4 A	2 A
Breaking capacity	-	-
Continuous thermal current	4 A	-

**Technical Data - Lamp**

Lamp socket	none, with integrated 3 mm LED white
Max. lamp voltage	30 V AC/DC
Max. lamp output	14 mA (at 24 V DC)



### Additional data

Mounting aperture	22.3 mm
Tightening torque (mounting nut)	1.5 ... 1.9 Nm
Tightening torque (M12-connector)	max. 0.4 Nm
Mounting position	any
Standards	EN 60947-5-1, EN 61058-1
Material group	I
Overvoltage category	II
Pollution degree	2

### Note

I = NO contact

- pushbutton (illumination option)

Pushbutton:

- Shorttron range
- silver-coloured front ring
- sealed on rear

Connecting cable:

- PUR cable with M12 connector straight, black
- integrated strain relief
- cable diameter: 4.7 mm
- length: 25±3 cm
- bending radius moving: 10 x cable diameter
- bending radius fixed: 5 x cable diameter

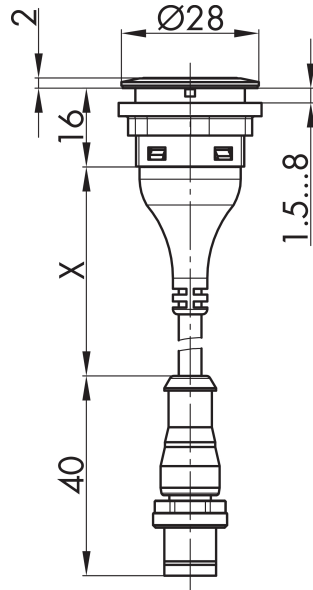
Pin assignment:

Pin1 Pin2 Pin3 Pin4  
NO (1) NO (1) LED - LED +

### Data acc. to UL508

Ratings	24 V DC 2 A General Purpose
Lamp rating	30 Vac/dc, 14 mA max





PIN 1/PIN 2

