

## Contact Block: CTF

### General Data

Type Reference:	CTF
Description:	Electronic contact block with snap action
Approvals:	CCC, cCSAus, CE, GOST-R, NV, CE
Nature of contact:	1 inverter
Protection class:	II (protective insulation)
Degree of protection:	IP00
Operation travel:	3 mm
Connection type:	Faston terminals 2 x 2.8mm x 0.8 mm
Contact material:	gold-plated 1.5µm
Max. storage temperature:	-50°C ... 85°C
Max. operating temperature:	-30°C ... 70°C
Mechanical life:	1m operations
Electrical life (rated load):	1m operations at rated load
Contact resistance NO:	< 50 mOhm (new state)
Contact resistance NC:	< 100 mOhm (new state)
Bouncing time NO:	< 10ms
Bouncing time NC:	< 10ms

### Electrical Features

Rated voltage:	20mV ... 48V AC/DC
Rated current:	0.01mA ... 100mA

### Electrical Data acc. to EN 61058-1 "micro disconnection", µ

Rated voltage:	250V-
Rated current:	max. 100 mA
Contact opening distance:	< 3 mm (µ)
Creepage resistance:	II / PTI 400V
Insulation resistance:	> 100 MOhm/500 V
Test voltage:	500V (61058-1 Tab.12 )
Pollution degree :	3
Electrical life (additional test):	50000

### Note

The applicability of the "micro disconnection" (µ) acc. to EN 61058-1 is regulated in the relative product standards which have to be observed by the customer (product designer).

Faston terminals 2.8x0.8mm are not suitable for manual soldering.

### Electrical data acc. to IEC/EN 60947-5-1 (VDE 0660 Sect. 200)

Utilisation category:	AC12	DC12
Rated insulation voltage Ui:	60V	60V
Rated operating voltage Ue:	48V	48V
Rated operating current Ie:	0.1A	0.1A
Continuous thermal current:	direct current	

### Remark

GB14048.5-2008 (IEC60947-5-1)

### Elektrische Daten nach C22.2 No. 14-10

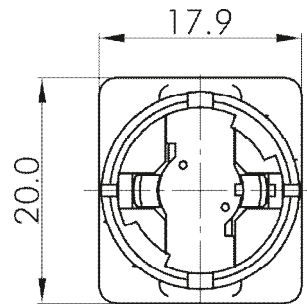
Rated voltage:	20mV ... 48V AC/DC
Rated current:	0.01mA ... 100mA

- subject to alterations -

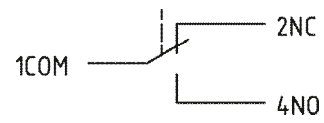
Photo



Dimensional drawing



Operating travel diagram



- subject to alterations -