

Date: 30.04.2015

## IWD5

### General Data

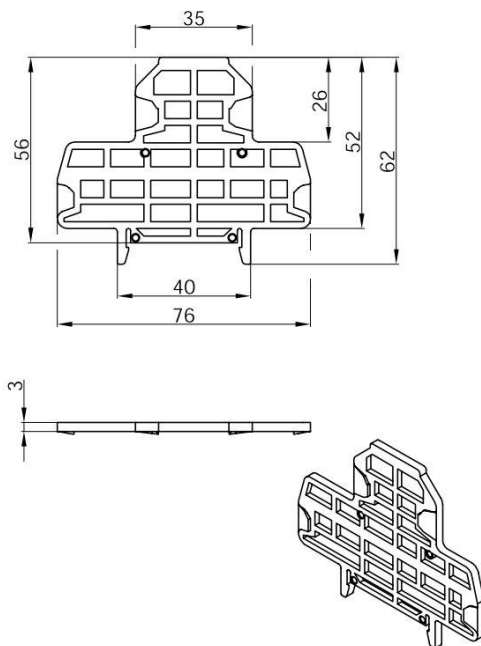
Type Reference:	
Description:	Insulated end section
Approvals:	CE
Mounting method:	Top hat rail N35, EN60715 TH35
Max. storage temperature:	-40°C ... 80°C
Max. operating temperature:	-30°C ... 40°C

### Data acc. to IEC 60947-7-1

Flammability class acc. to UL94:	V2
Material group:	I
Insulating material:	PA 6.6

### Note

Insulated end section for double-level feed-through terminal IKD5



- subject to alterations -