

SSWSSA150I

15.11.2021

Key-operated switch, maintained



General Data

| | |
|------------------------------|--|
| Type reference | SSWSSA150I |
| Description | Key switch with integrated contact block |
| Approvals | CCC, CE, cURus, DNV, ENEC10, VDE, UKCA |
| Contact type | 1 NC + 1 NO |
| Degree of protection | IP65 |
| Connection type | Faston terminals 2.8 x 0.8 mm |
| Contact material | AgNi |
| Max. storage temperature | -40°C ... 80°C |
| Max. operating temperature | -25°C ... 70°C |
| Mechanical life | 30,000 switching cycles |
| Electrical life (rated load) | 30,000 switching cycles at rated load |
| Contact resistance NO | < 20 mOhm |
| Contact resistance NC | < 20 mOhm |
| Min. current | 1 mA (under laboratory conditions) |
| Min. voltage | 5 V |
| Bouncing time NO | < 10ms |
| Bouncing time NC | < 10ms |
| Positive opening contact | acc. to EN60947-5-1, appendix K |

Electrical data acc. to IEC/EN 60947-5-1 (VDE 0660 Sect. 200)

| | alternate current | direct current |
|--------------------------------|-------------------|-----------------------------|
| Utilisation category | AC15 B300 | DC13 Q300 |
| Rated insulation voltage U_i | 250 V | 250 V |
| Rated operating voltage U_e | 240 V / 120 V | 250 V / 125 V / 60 V / 24 V |
| Rated operating current I_e | 1.5 A / 3 A | 0.27 A / 0.55 A / 1 A / 2 A |
| Breaking capacity | 10 I_e | 1,1 I_e |
| Continuous thermal current | 5 A | - |

Electrical data acc. to IEC/EN 61058-1 (VDE 0630 Sect. 1)



| | |
|------------------------------|--------|
| Rated voltage U _e | 250 V~ |
| Rated current I _e | 6(4) A |

Additional data

| | |
|----------------------------------|--------------------------|
| Mounting aperture | 22.3 mm |
| Tightening torque (mounting nut) | 1.5 ... 1.9 Nm |
| Mounting position | any |
| Standards | EN 60947-5-1, EN 61058-1 |
| Material group | I |
| Overvoltage category | II |
| Pollution degree | 2 |

Note

O = NC contact; I= NO contact

- black front ring

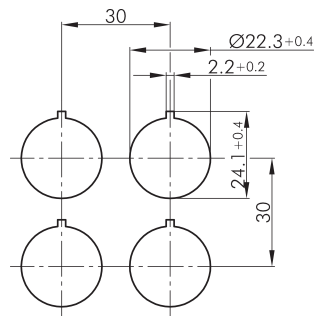
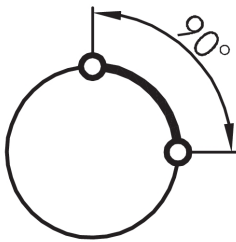
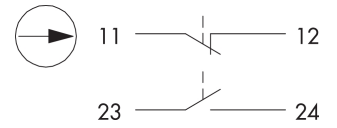
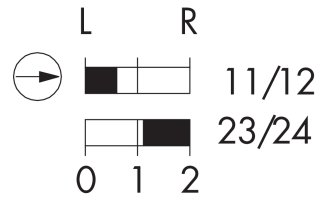
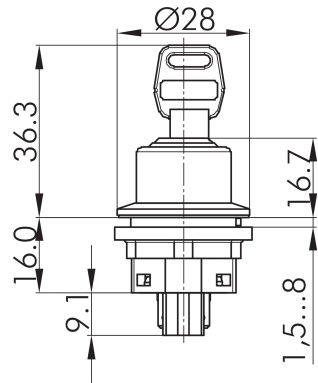
DC13: 30.000 switching cycles

Versions with Faston terminals: use partially or all-insulated Faston clamps

Data acc. to UL508

| | |
|--------|------------------------------|
| Rating | Pilot duty B300; 24 V dc/3 A |
|--------|------------------------------|





Légende:
I=Position de commutation >=Rappel par ressort O=Retrait de la clé

Légende:
I= Schaltstellung >= Federrückzug O= Schlüsselabzugstellung

Legend:
I= Switching position >= Spring return O= Key removable position

