

# Datasheet

→ **BVSSW** 

08/16/2024



## Technical Data

Dummy, black

*Rubric* Accessories for pushbuttons

*Shape* round



### → General Data

*Protection class* IP65  
IP67

*Approvals* CE, UKCA

*Operating temperature* -25 ... 70 °C

*Storage temperature* -40 ... 85 °C

*Mounting position* any

*Mounting aperture* Ø 22.3 mm

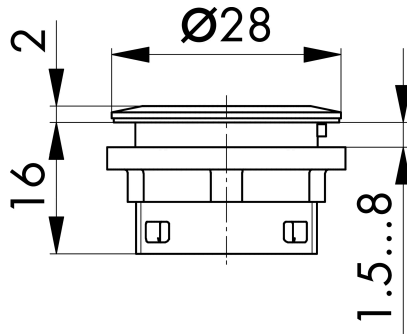
*Color* Black

### → Mechanical Data

*Tightening torque (fastening nut)* min. 1.5 Nm  
max. 1.9 Nm

## Technical Drawings

→ Dimensional drawing



→ Cutout dimensions

