

SSWTLRBOI

25.10.2021

Pushbutton with ring illumination



General Data

Type reference	SSWTLRBOI
Description	Pushbutton with ring illumination
Approvals	CCC, CE, cURus, DNV, ENEC10, VDE, UKCA
Contact type	1 NC + 1 NO
Degree of protection	IP65 / IP67
Operation travel	2.3 mm
Connection type	Faston terminals 2.8 x 0.8 mm
Contact material	AgNi
Max. storage temperature	-40°C ... 80°C
Max. operating temperature	-25°C ... 70°C
Mechanical life	1 million switching cycles
Electrical life (rated load)	1 million switching cycles
Contact resistance NO	< 20 mOhm
Contact resistance NC	< 20 mOhm
Min. current	1 mA (under laboratory conditions)
Min. voltage	5 V
Bouncing time NO	< 10ms
Bouncing time NC	< 10ms
Positive opening contact	acc. to EN60947-5-1, appendix K

Electrical data acc. to IEC/EN 60947-5-1 (VDE 0660 Sect. 200)

	alternate current	direct current
Utilisation category	AC15 B300	DC13 Q300
Rated insulation voltage U_i	250 V	250 V
Rated operating voltage U_e	240 V / 120 V	250 V / 125 V / 60 V / 24 V
Rated operating current I_e	1.5 A / 3 A	0.27 A / 0.55 A / 1 A / 2 A
Breaking capacity	10Ie	1,1Ie
Continuous thermal current	5 A	-



Electrical data acc. to IEC/EN 61058-1 (VDE 0630 Sect. 1)

Rated voltage U_e 250 V~

Rated current I_e 6(4) A

Technical Data - Lamp

Lamp socket none, with integrated 3 mm LED white

Max. lamp voltage 30 V AC/DC

Max. lamp output 14 mA (at 24 V DC)

Definition X1...anode, X2...cathode

Additional data

Mounting aperture 22.3 mm

Tightening torque (mounting nut) 1.5 ... 1.9 Nm

Mounting position any

Standards EN 60947-5-1, EN 61058-1

Material group I

Overtoltage category II

Pollution degree 2

Note

O = NC contact; I= NO contact
- black front ring
- with blue illuminated ring

DC13: > 100.000 switching cycles

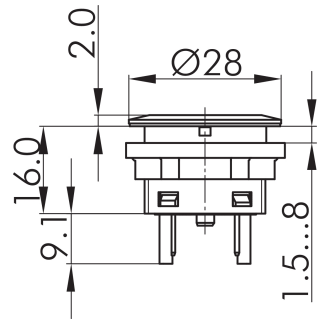
Versions with Faston terminals: use partially or all-insulated Faston clamps

Data acc. to UL508

Rating Pilot duty B300; 24 V dc/3 A

Illumination 30 V ac/dc, 14 mA max





0 1 2

11/12



23/24



11 — 12

23 — 24

X1 — X2

