

# Datasheet

→ **RMCS** 

10/31/2024



## Technical Data

Mushroom head, momentary

|               |                               |
|---------------|-------------------------------|
| <i>Series</i> | RONDEX-M                      |
| <i>Rubric</i> | Strike button/mushroom button |
| <i>Shape</i>  | round                         |



## → General Data

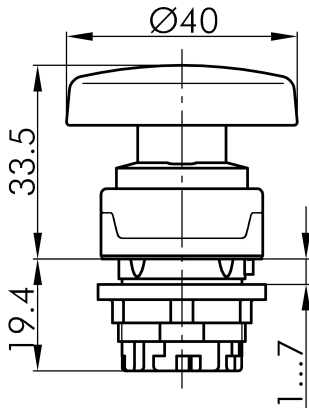
|                          |                     |
|--------------------------|---------------------|
| <i>Illumination</i>      | No                  |
| <i>Protection class</i>  | IP65                |
| <i>Mounting aperture</i> | Ø 22.3 mm           |
| <i>Front frame color</i> | metallic/anthracite |
| <i>Actuator color</i>    | red                 |

## → Mechanical Data

|                           |                    |
|---------------------------|--------------------|
| <i>Operating travel</i>   | 6 mm               |
| <i>Switching function</i> | Momentary function |

## Technical Drawings

→ Dimensional drawing



→ Cutout dimensions

